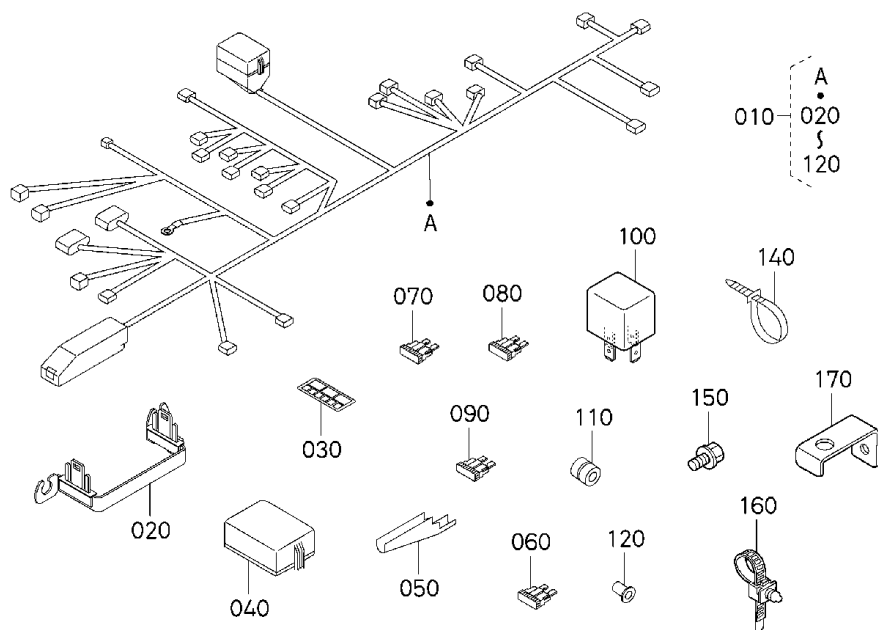
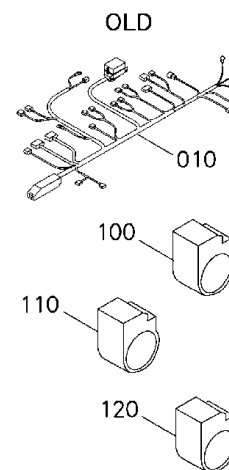


080600 WIRE HARNESS ## WG1605-G-E3-MNTM-2
 WG1605-G-E3-MNTM-2 ENGINE

Update Date: 08/03/2020
 Printing Date: 19/01/2021



EG522-189-10



EG522-806-10

≡ Interchangeable

NI Not Interchangeable

>> New for Old

<< Old for New

No.	Part No.	Part Name	Qty	IC	Serial No./PIN	Remarks	Kg
010	EG522-65053	HARNESS,WIRE,ASSY	1		<=1JPZ999		2.2
010	EG522-65530	HARNESS,WIRE,UNIT	1	NI	>=1JQ0001		1.9
020	EG526-65220	BRACKET,COMP(FBOX)	1		>=1JN0001		0.07
030	EG522-87680	LABEL(FUSE,G)	1		>=1JN0001		0.001
040	EG526-65420	COVER,COMP(FBOX,TOP)	1		>=1JN0001		0.05
050	EG526-65250	COVER(FUSE BOX,BOTTOM)	1		>=1JN0001		0.01
060	T1060-30430	FUSE,MINI(5A)	1		>=1JN0001	5A	0.005
070	T1060-30440	FUSE,MINI(10A)	1		>=1JN0001	10A	0.005
080	T1060-30450	FUSE,MINI(15A)	2		>=1JN0001	15A	0.005
090	T1060-30470	FUSE,MINI(30A)	1		>=1JN0001	30A	0.005
100	RD451-54260	CLAMP	1		<=1GKZ999		0.005
100	EG522-67540	CLAMP,CORD	1	>>	>=1GL0001		0.008
100	1J423-60230	RELAY	1	NI	>=1JL0001		0.032
100	1J423-60233	RELAY	1	>>	>=1JN0001		0.03
110	RD451-54250	CLAMP	2		<=1JKZ999		0.007
110	EG526-72190	RUBBER(CUSHION)	2	NI	>=1JL0001		0.003

≡ Interchangeable
 NI Not Interchangeable
 >> New for Old
 << Old for New

No.	Part No.	Part Name	Qty	IC	Serial No./PIN	Remarks	Kg
120	RD451-54240	CLAMP	1		<=1JKZ999		0.004
120	EG526-65320	SLEEVE	1	NI	>=1JL0001		0.003
140	55311-41260	BAND,CORD	3				0.007
150	01754-50812	BOLT,FLANGE	1				0.008
160	RP421-54110	CLAMP(7047-3566-30)	1				0.002
170	EG523-65210	BRACKET(HARNESS,2)	1				0.02